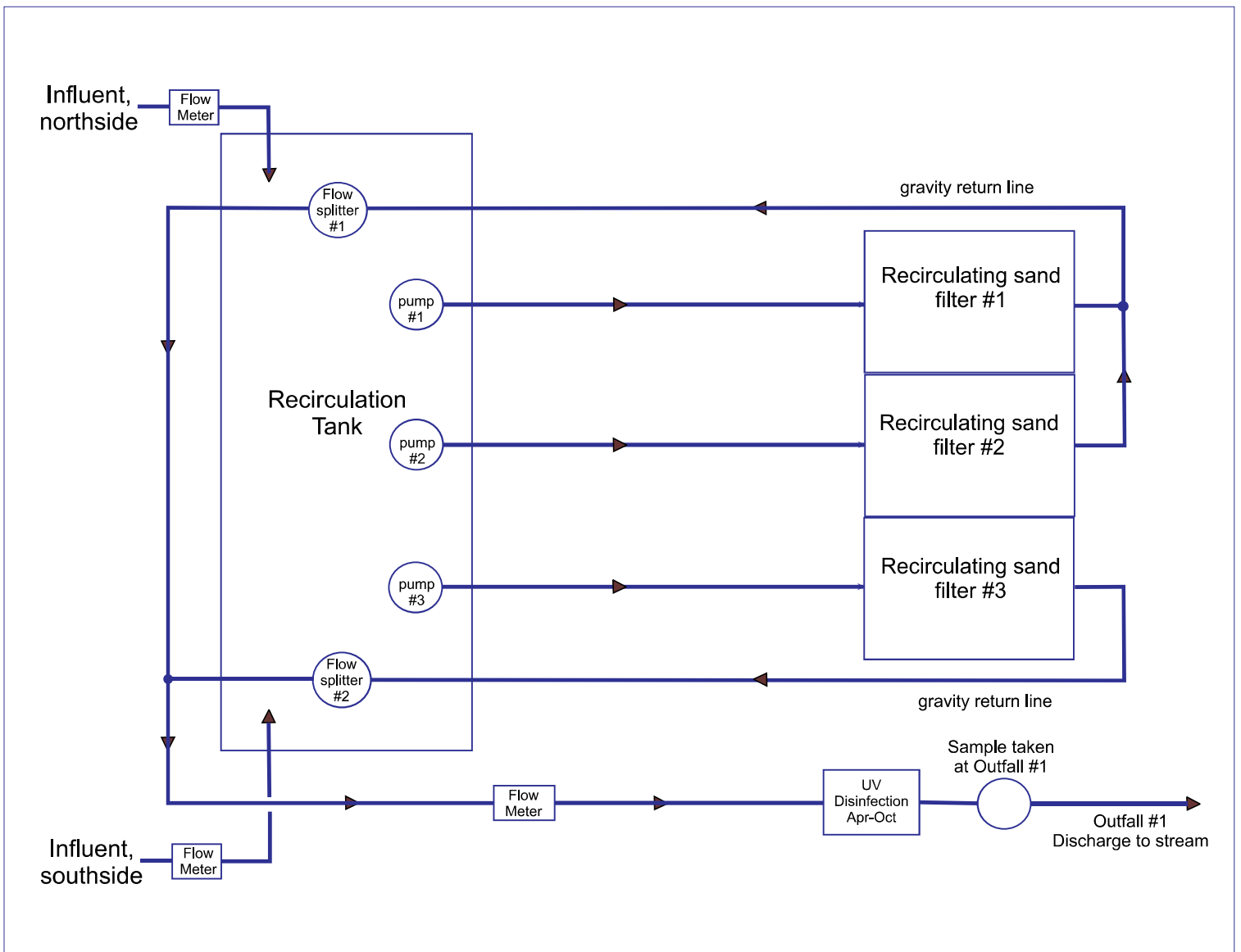


Public Water Supply District #13 of Jefferson County
Application for Operating Permit Renewal, Form B Section 7.1
Lake Tishomingo Treatment Facility Process Flow Diagram

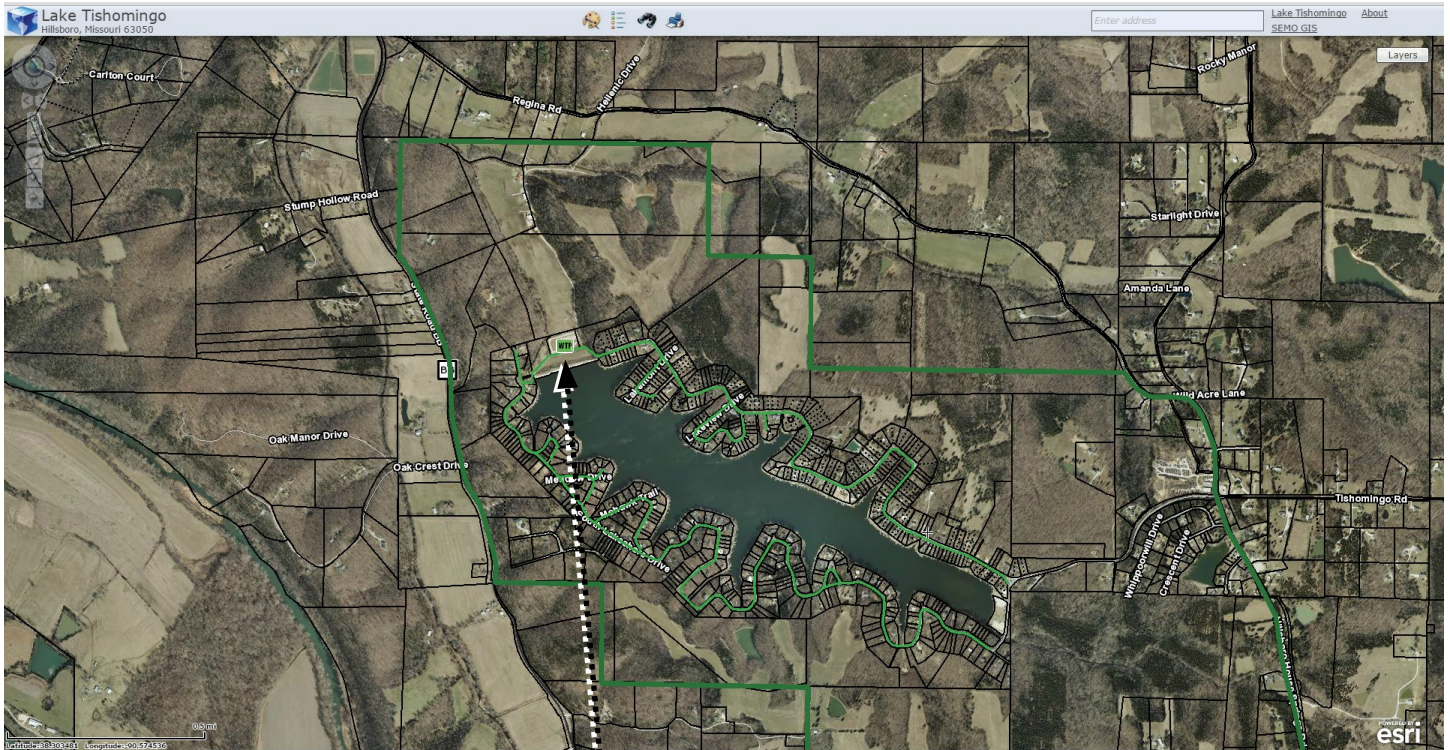
This is a Septic Tank Effluent Pump (STEP) system serving 241 homes in the Lake Tishomingo subdivision. Approximately 152 homes are occupied full time.

STEP tanks with a capacity of 1,000 gallons are located at each residence. Effluent from the STEP tanks is fed through two main pipes into the 75,000 gallon recirculation tank at the treatment plant. Recirculation tank effluent is pumped into three sand filters. The effluent trickles through the sand filters and is returned by gravity to splitters in the recirculation tank. Depending on the liquid level in the recirculation tank, a portion of the effluent is returned to the recirculation tank; the rest is discharged. During the months of April through October, UV disinfection is applied prior to discharge.



Public Water Supply District #13 of Jefferson County
Application for Operating Permit Renewal, Form B Section 7.2
Aerial Photograph of Lake Tishomingo Treatment Facility*

Attachment 2



Outfall

Treatment Facility



* from <http://www.semogis.com/flexviewers/LakeTishomingo/>